



Roller Shutters

OPENING DOORS FOR YOUR FUTURE



ECONOMICAL DURABLE RELIABLE ROBUST SECURE ATTRACTIVE



*Based in North West
England operating
from Lancashire
providing service
nationwide*



Our team has a combined total of over 50 years experience in the security door business.

We have been supplying trade customers for over 18 years.



We aim to provide excellent service...

- *Quality products*
- *Short lead times*
- *Impeccable customer service*
- *Streamlined production process*
- *Excellent after sale support*

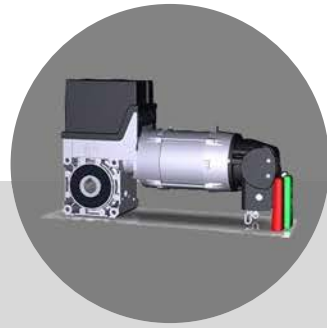
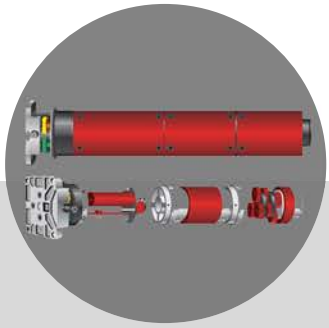


Every door is bespoke to meet customer requirements. As the UK manufacturer, we personally see you right through from enquiry to installation!



- Manufactured in the UK
- Individually designed from customer specific demands
- Suitable for a range of applications...
 - Agricultural
 - Bars & receptions
 - Industrial
 - Home & office
 - Car parks
 - Schools & education
 - Shop fronts
 - Buildings with no electrical supply (manual)
- ...and many more!





SPECIFICATION

- Tube Motor (1ph)
 - Motor inside barrel
- Flange Mount (1ph or 3ph)
 - External chain driven motor
- Direct Drive (3ph)
 - Motor externally mounted directly to keyed shaft
- Manual
 - Chain operated
 - Push up

END LOCKS

- Standard
 - Plastic
 - Pressed steel
 - Cast
- 50mm flat
- Insulated
- Windlocks (pair)

LOCKS

- Bullet locks
- Centre locks
- Ground lock and padlock
- Isolatable lockable push button



GUIDES

Standard guide dimensions are 65mm x 31.4mm x 3mm channels, this is dependant on the clear opening width of the shutter. The guide channels are bolted on to the angle.

- 38mm - 100mm
- Standard
- Windlock
- Straight
- Twinskin straight/windlock

SAFETY BRAKE

Ensures the shutter has anti-fail protection in place in the event of malfunction or failure. The size will be dependent on the axle diameter of the shaft and the overall weight of the curtain.

- RSB0
- RSB 1/2
- RSB 2/3
- Other options available

CANOPY/FASCIA

Manufactured from galvanised steel, dimensions are dependent upon the size of the end plate





RAILS

- 'T' rail
 - Standard
 - Heavy Duty
- Outside 'L' rail
- Industrial bottom carrier c/w rubber
- Ext. ali insulated c/w rubber
- Compensating bottom rail

REMOTES/SWITCHES

- Remote
- Fob
- Key switch
- Rocker switch
- Keypad/wireless keypad
- Control panel

POWDER COATING

- Availabe in any BS or RAL colour

PLASTISOL

- Availabe in limited colours



LATH

- Perforated
 - Galvanised
 - Plastisol
- Flat
 - Galvanised
 - Perforated
 - Punched
- Punched
 - Galvanised
 - Plastisol
- Brick bond
- Plastisol
- Solid



MOTOR TYPE

Positioned at the top of the door, powering all mechanical components of the shutter

WINDLOCKS

Used where roller shutters are exposed to high winds to prevent curtain from blowing out/in during bad weather

BARREL

Tube used to hold the curtain of the roller shutter, the curtain rolls around the assembly

END PLATES

Hold curtain in place and are secured to building structure, carry the full load of the shutter



VIEW OUR FULL RANGE



ROLLER SHUTTERS

INSULATED SHUTTERS

HIGH SPEED DOORS

FIRE SHUTTERS



sales@sssindustrialdoors.co.uk
01204 853 243
Red Earth Farm, Plantation Rd, Bolton, BL7 0DD